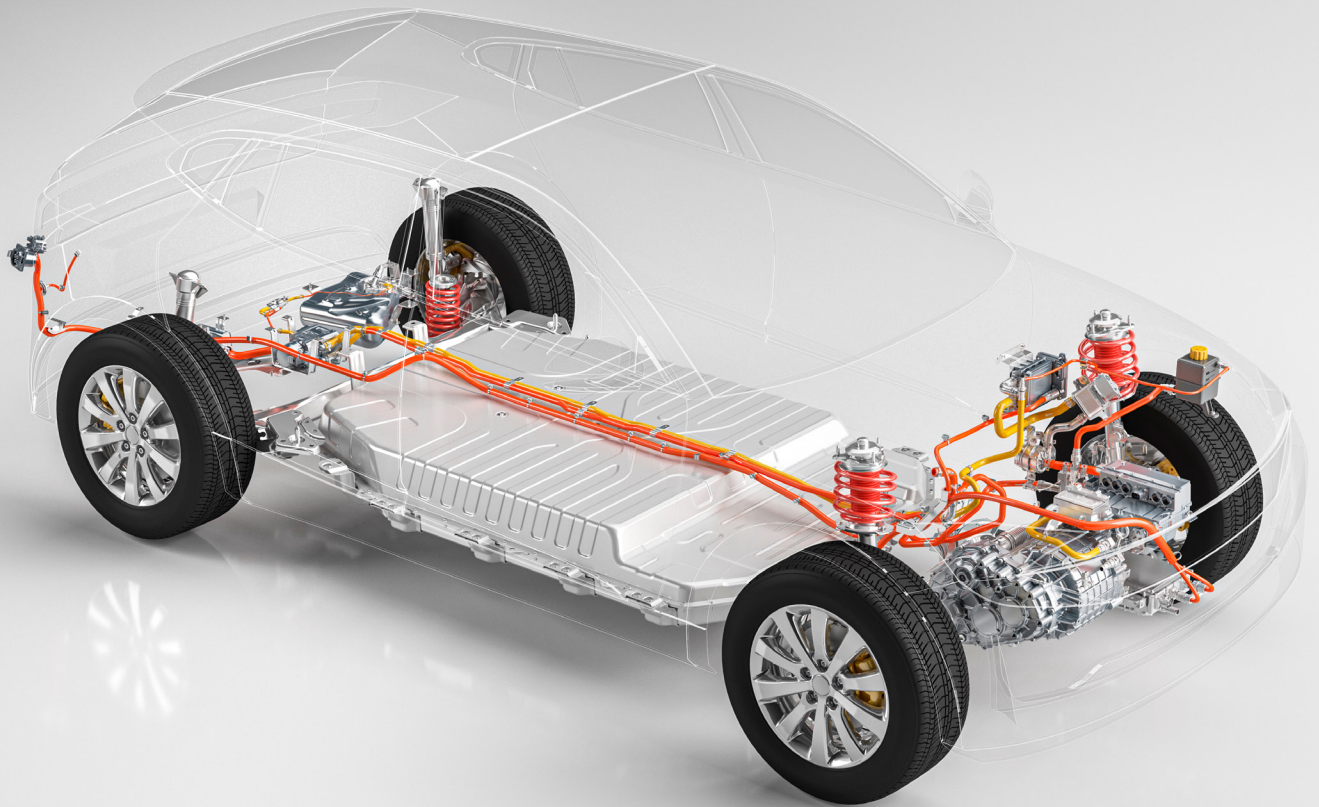


SUR-SEAL®

ADVANCED MATERIAL SOLUTIONS

EV BATTERY SOLUTIONS

SUR-SEAL HAS THE RIGHT SOLUTIONS FOR ALL YOUR ELECTRONIC VEHICLE BATTERY NEEDS.



Look inside to see how SUR-SEAL provides solutions for the most common challenges in battery design and construction:

- *Reducing flammability*
- *Boosting dielectric strength*
- *Protecting pack materials.*

EV BATTERY SOLUTIONS

SUR-SEAL is ready to provide solutions that provide functional bonding and protection tapes that help make EV batteries safer, more efficient and easier to assemble.

WHETHER YOU NEED

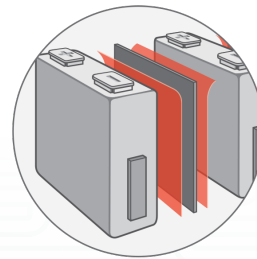
- ▶ Thermal Runway Protection
- ▶ Compression Pads
- ▶ Electrical Insulation and Cell Wrapping
- ▶ Flexible Busbars
- ▶ Cell to Cell Bonding
- ▶ Thermal Interface Materials (TIMs)
- ▶ Pack Seal and Gasketing
- ▶ Screwless component bonding & fastening solutions
- ▶ Insulators
- ▶ Materials to help achieve UL94 V-0 requirements
- ▶ Environmental sealing & gasketing solutions

WE OFFER

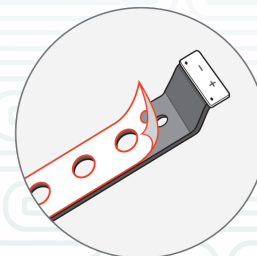
- ▶ Precision slitting
- ▶ Rotary and flat-bed die-cutting
- ▶ Rapid laser prototyping
- ▶ Spooling
- ▶ Laser cutting
- ▶ Laminating
- ▶ Assembly & kitting
- ▶ Automated placement & assembly support



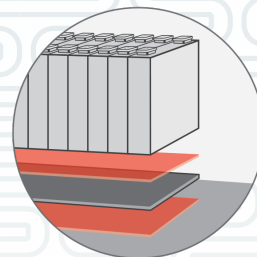
Thermal Runway Protection



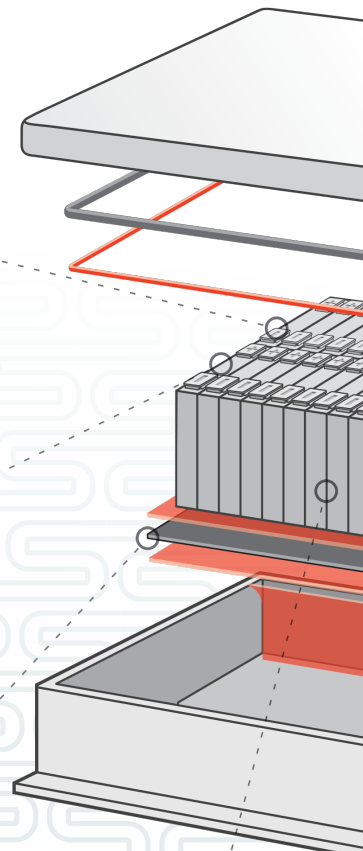
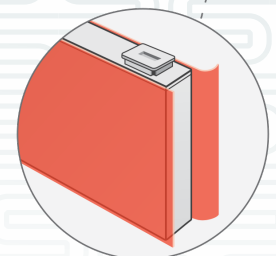
Flexible Busbars



Thermal Interface Materials



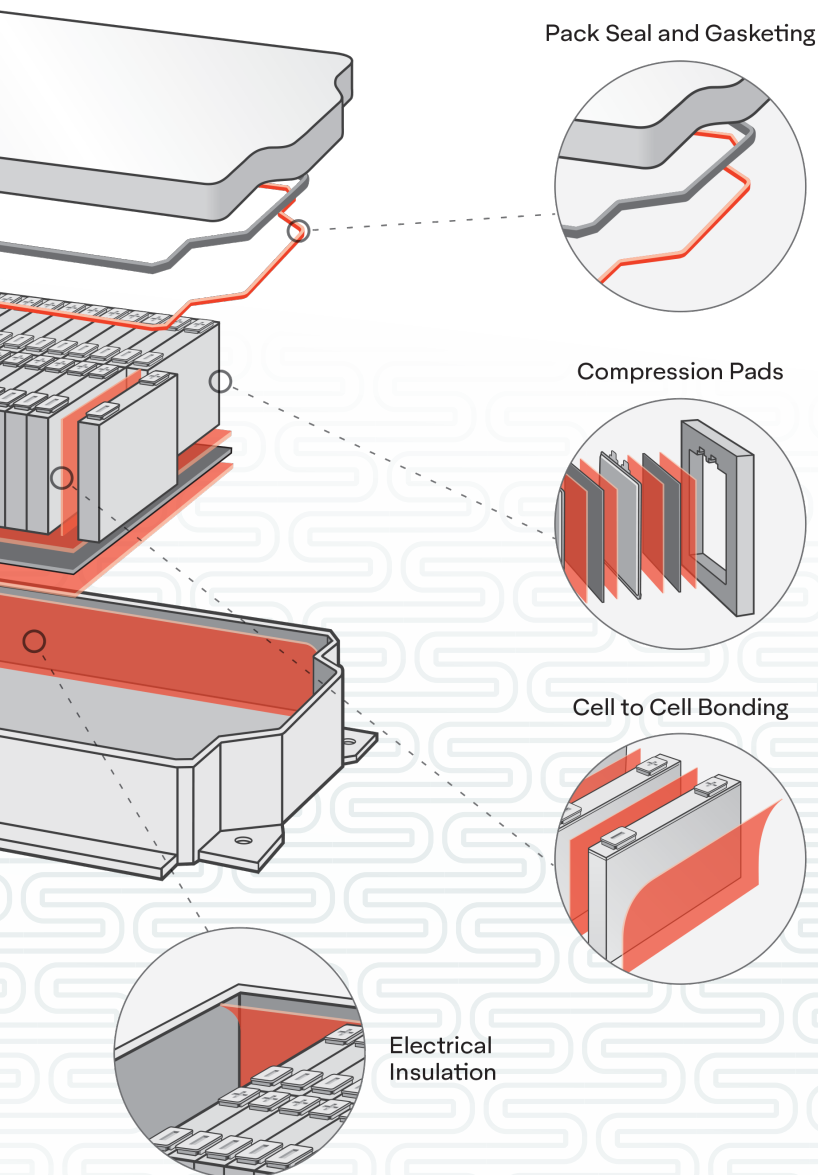
Cell Wrapping



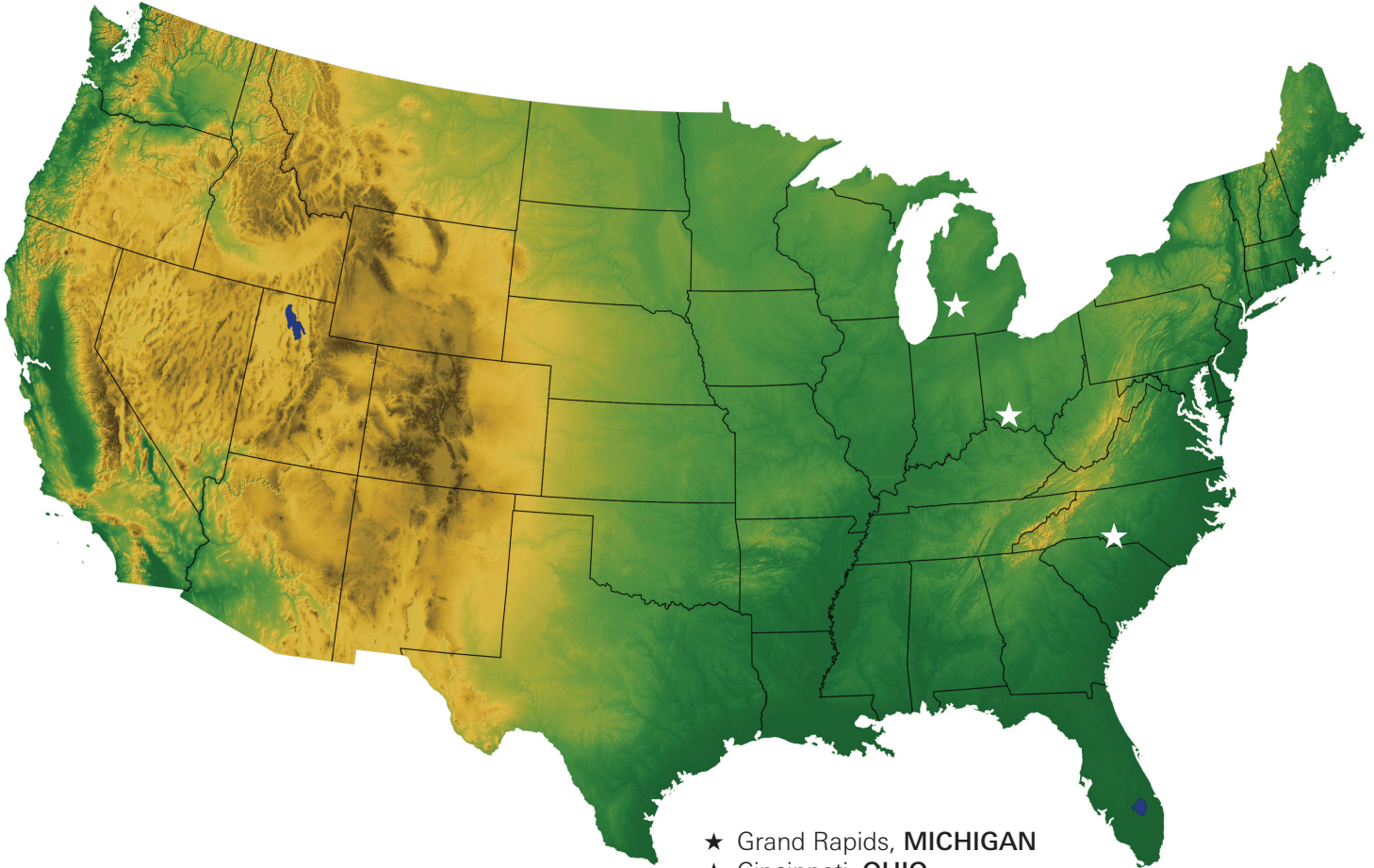
SUR-SEAL®

WITH THE FOLLOWING

- ▶ Acrylic and Silicone-based adhesives with Flame Tough™ flame-retardant adhesives
- ▶ Single and Double-coated tapes
- ▶ High Performance Acrylic (HPA™) adhesives
- ▶ Dielectric tapes
- ▶ Thermal pads
- ▶ PORON urethane foam & other urethane membranes
- ▶ BISCO® silicone foam & other high temperature silicones
- ▶ Insulators
- ▶ Acrylic Foam Bond (AFB™) heat activated acrylic foam tapes



SUR-SEAL's consultative approach provides you solutions designed to reduce labor costs whenever possible, while our QA certifications and QC system ensure the highest quality product delivery.



- ★ Grand Rapids, MICHIGAN
- ★ Cincinnati, OHIO
- ★ Charlotte, NORTH CAROLINA

Three locations providing advanced engineering solutions for your specific advantage.



IATF 16949:2016
and
ISO 13485:2016
certified



SUR-SEAL[®]
ADVANCED MATERIAL SOLUTIONS

513-574-8500 ■ www.sur-seal.com